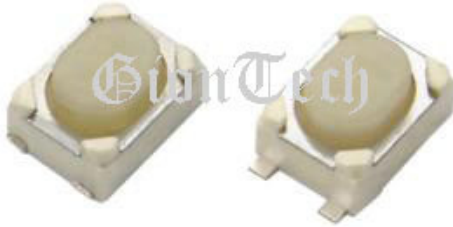


**3.2 x 4.2mm Tact Switch (Vertical, SMT Type)**

TSG-1G/1HS-XXX




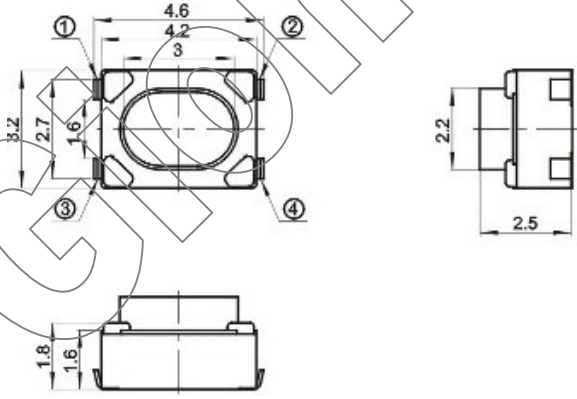
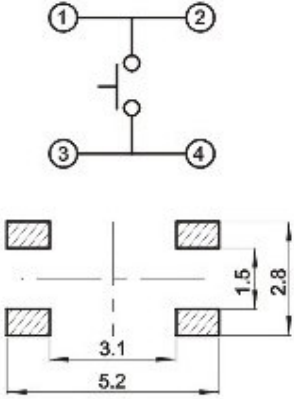
TS - Tact Switch  
 G - G Series  
 1G/1H - Type  
 S - SMT Type  
 XXX - Action Force (gram)

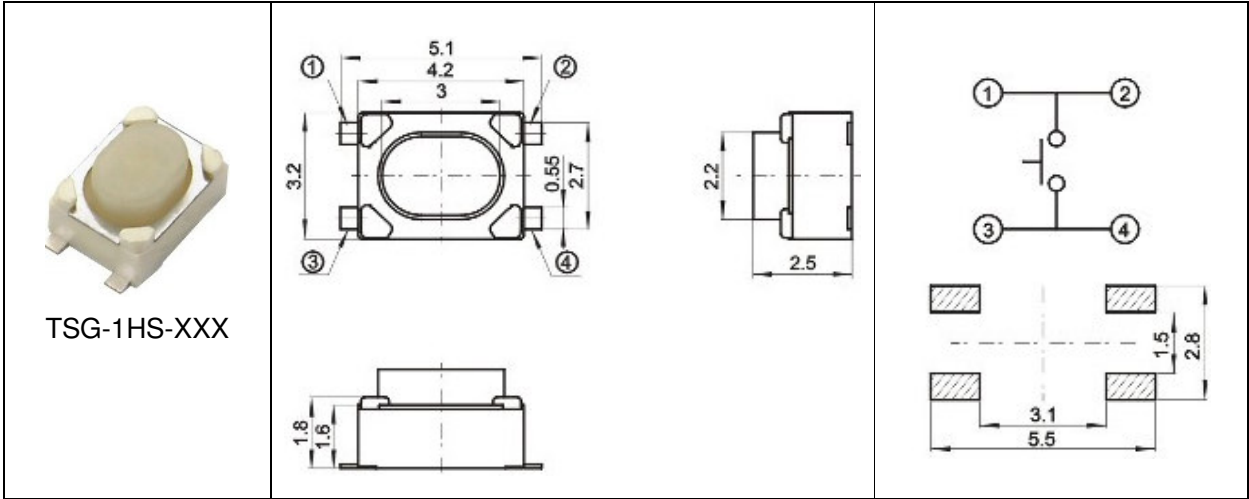
**SPECIFICATIONS**

Mechanical Life:	100,000 cycles
Operating Force:	180g±50g, 250g±50g, 400g±90g
Travel:	0.2±0.1mm
Rating:	50mA 16V DC
Dielectric withstanding:	250V AC/minute
Insulator resistance:	≥ 100 MΩ at 100V
Contact resistance:	≤ 100 mΩ/Contact
Operating temperature:	-30°C ~ +85°C
Storage temperature:	-40°C ~ +85°C

**Material**

Base:	LCP, UL94V-0
Contact material:	Phosphor Bronze
Contact Spring Plating:	Stainless Steel/Silver Plating

Physical Picture	Outline Drawing	Circuit
 <p>TSG-1GS-XXX</p>		



TSG-1HS-XXX

GionTech